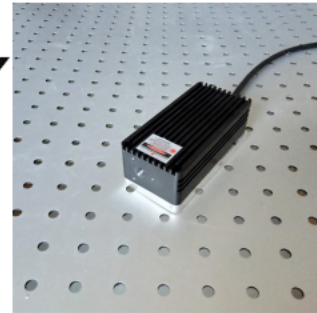




445nm Blue Light Laser-2000mW



FEATURES

- Small Divergence
- TEC cooled
- Longlife operation
- Analog/TTL modulation
- Collimated straight beam
- High efficiency
- High reliability

APPLICATIONS

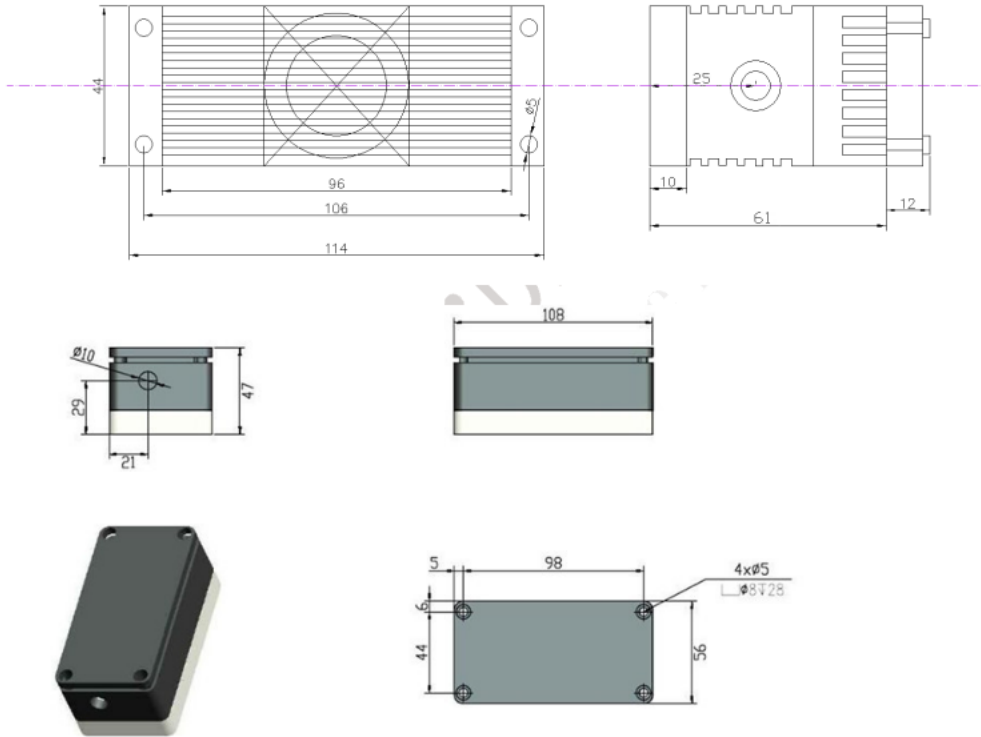
- Laser show
- Display
- Laser Alignment
- Scanning Biochemistry
- Material Inspection Lidar

Specifications

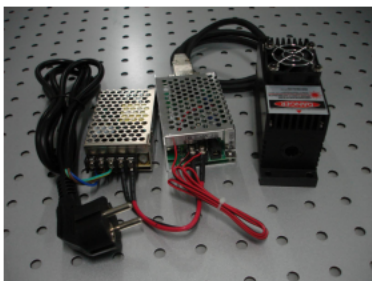
Model No.	BDT-M445-1-2W
Wavelength	445+/-5 nm
Spatial Mode	Near TEM00
Output Power	1000mW, 1500mW, 2000mW
Operation Mode	CW or Modulation
Beam Height	25mm
Beam Size	4.5x4mm
Beam Divergence(full angle)	1.2x0.5mrad
Power Stability	<3% per 4 hrs
Temperature Stabilizing	TEC



Warm Up Time	<1 minute
MTTF	10,000 hr
Laser head dimensions	114(L)x44(W)x61(H)mm ³
Power Supply	A. OEM type 100(L)x58(W)x32(H)mm ³ AC/DC PSU: 85~265V 50/60Hz input
	B. Lab type 104(W)x128(D)x89(H)mm ³ 85~265V 50/60Hz input
	C. Lab Adjustable type 179(W)x148(D)x56(H)mm ³ 85~265V 50/60Hz input
Modulation	0~30khz Analog or TTL



A. OEM type





B, Lab type



C. Adjustable type

