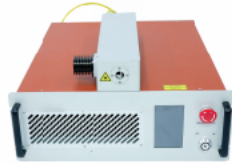




Single-Pass SHG Raman Fiber Laser



The product description

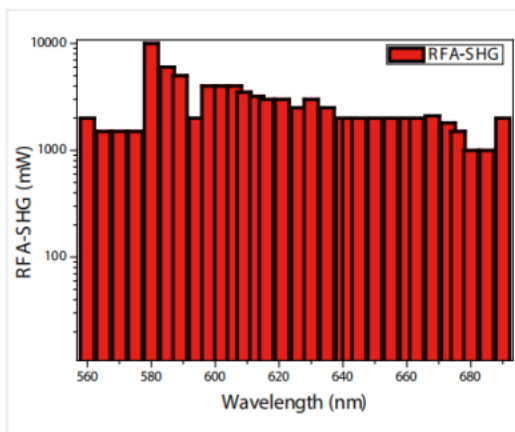
Erbium group offers high power, narrow-linewidth, frequency doubled Raman fiber laser from 560 to 760 nm for applications like laser cooling of atoms. It consists of an all-fiber Raman amplifier seeded with ultra-narrow linewidth external cavity diode laser or fiber DFB laser, and a single-pass frequency doubling unit with periodically poled nonlinear crystal. Compared with frequency-doubled diode laser, the fiber solution has stable configuration, excellent beam quality ($M^2 < 1.2$), high output power (up to 10 W). It remains mode-hopping-free and stable under wide temperature variation and high mechanical vibration and can be applied in the quantum technology, biomedical and industry.

Key Features:

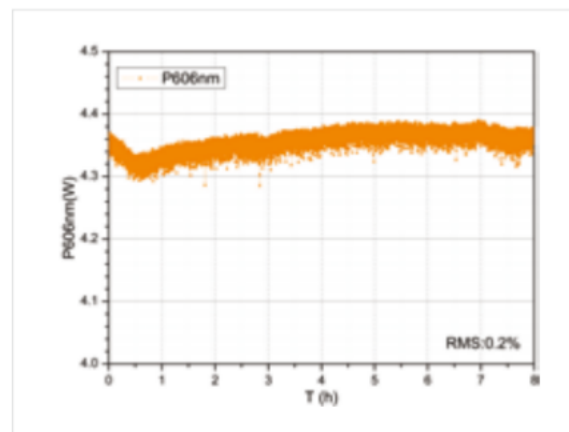
- Narrow Linewidth(<200 kHz)
- Support Seed built-in, Tunable
- Stable and Maintenance-free
- Good Beam Quality ($M^2 < 1.1$)

Applications:

- Laser cooling of Li atoms
- Quantum simulation
- Biomedical
- Medical cosmetic



Wavelength-Power



Power Stability

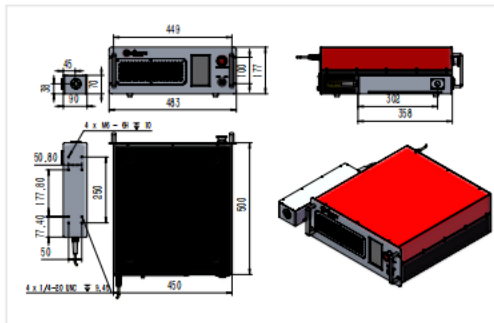


Technical indicators

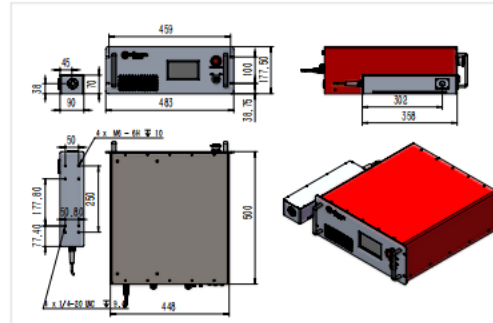
Model	RFL-SSHG-XX-YY-ZZ ¹		
Wavelength Range, nm	560-671	671-698	698-740
Output Power ² , W	2	6	1
Seed Laser	External Cavity Diode Laser(ECDL)		
Frequency converted	Single Pass SHG		
Mode-Hopping Free Range, GHz	>40		
Fast Tuning Range, GHz	>40		
Total Tuning Range, nm	±1.5		
MS Power Stability, %	<0.5 %@3hrs		
Beam Quality	TEM _∞ , M ² <1.1		
PER, dB	>20		
Beam Diameter, mm	0.7-1.0		
Cooling	Water Cooling/Air Cooling		
Power Supply	50-60Hz, 100-240VAC		

1: XX: Central Wavelength, YY: Maximum Output Power, ZZ: Operation Mode
 2: Central wavelength can be customized
 3: High power can be customized

Structure size



Size for Air-cooling Version



Size for Water-Cooling Version