



Single frequency Tm-doped fiber laser



The product description

Erbium group offers 1700-2050 nm Tm-doped fiber amplifier with innovative ASE suppression technique. Maximum output power reaches up to 40 W for single-frequency operation. The lasers have ultra-low intensity noise($RIN < 0.05\%$, 10Hz-10MHz) and excellent beam quality ($M^2 < 1.15$), which makes them ideal light sources for the applications like optical lattice, laser atom cooling and biomedical. The full protection system of the laser ensures long-term free of maintenance and long life time.

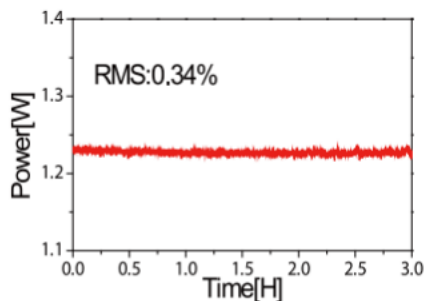
Key Features:

- Narrow linewidth
- Support seed built-in, Tunable
- Low intensity noise
- Good beam quality ($M^2 < 1.2$)
- Seed Power off Protection System

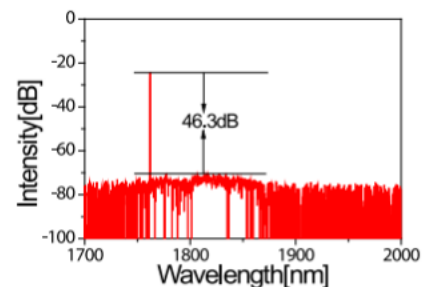
Applications:

- Pump Laser for frequency converteds
- Laser Lidar
- Biomedical
- Laser cooling of atoms
- Pump for mid-IR OPO

Product: TFA-SF-1762-1-CW



1W 1762 nm TFA power stability test



1W 1760 nm laser output spectrum

Technical indicators

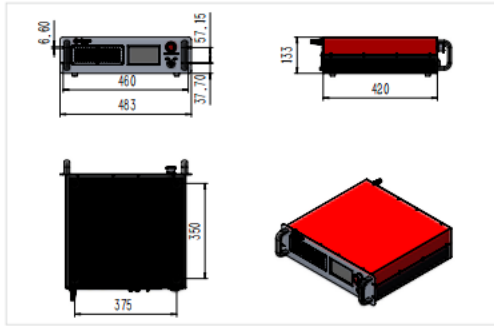
Model	TFA-SF-XX-YY-ZZ'			
Central Wavelength , nm	1700-1800	1800-1900	1900-1940	1940-2050
Output Power, w	2	10	20	40
Seed Laser Power , mW	>1			
Linewidth FWHM , kHz	~10 kHz(With Precilasers' Seed TFL-SF-1XXX-S)			
Operation Mode	CW			



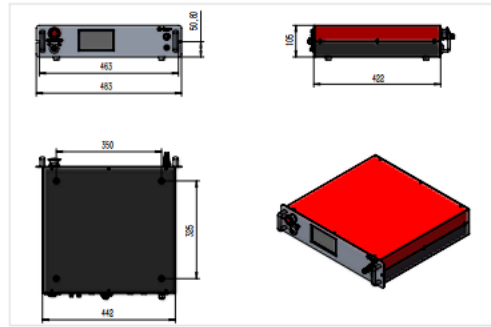
Beam Quality	TEM00, M2 <1.15	
PER, dB	> 20	
RMS Power Stability	<0.5 %@3hrs	
Output Connector	Collimated Output	
Cooling	Air Cooling/Water Cooling	
Power Supply	50-60Hz	100-240VAC

1: XX: Central Wavelength; YY: Output Power; ZZ: Operation Mode.

Structure size



Size for Air-cooling Version



Size for Water-Cooling Version