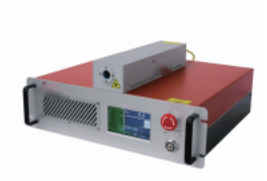




Tm-Doped Single-Pass SHG Fiber Laser



The product description

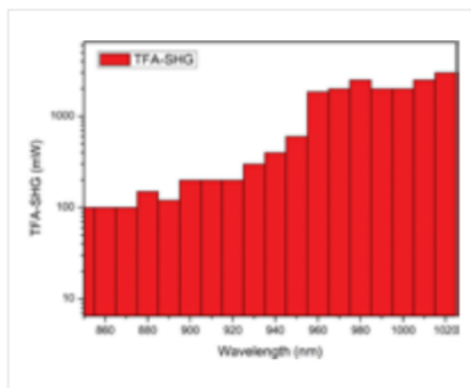
Erbium group provides narrow-linewidth, mode-hopping free, frequency doubled single frequency lasers near 1000nm, based on Tm-doped fiber lasers (TFL-SSHG). It consists of an all-fiber amplifier seeded with single frequency fiber DFB laser, and a single-pass frequency doubling unit with PPLN/PPSLT crystal. Compared with frequency-doubled diode laser, the fiber solution has stable configuration, excellent beam quality ($M^2 < 1.1$). It remains mode-hopping-free and stable under wide temperature variation and high mechanical vibration.

Key Features:

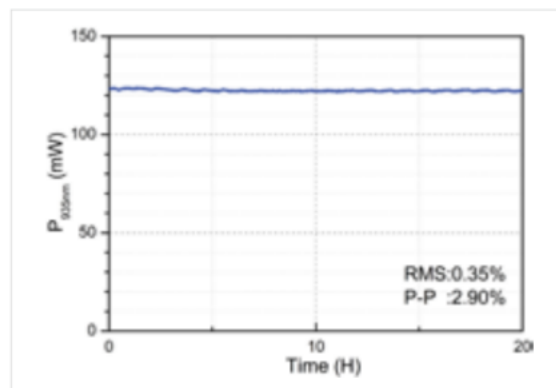
- Narrow Linewidth(<20 kHz)
- Good Beam Quality ($M^2 < 1.1$)
- Stable and Maintenance-free
- Mode-Hopping Free

Applications:

- Laser cooling, trapping, Optical Lattice
- Pump laser for OPO, Ti:Sapphire
- Biomedical
- Solar cell processing



Wavelength-Power



Power Stability

Technical indicators

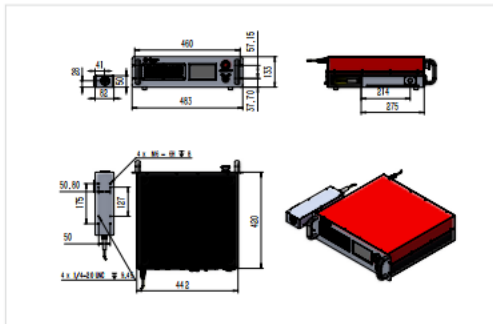
Model	TL-SSHG-XX-YY-ZZ'			
Central Wavelength ¹ , nm	920	935	960	975
Output Power	0.5	1	2	2



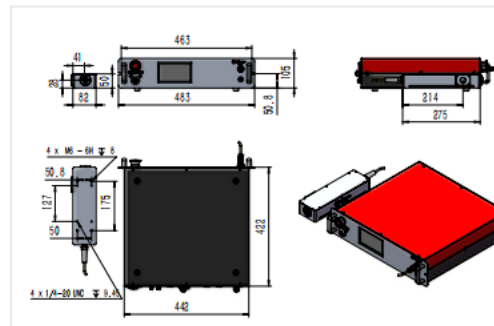
Linewidth (100 us), kHz	<20
No hopping tuning range, nm	>0.4
Beam Quality	$M^2 < 1.1$, TEM ₀₀
PER, dB	Linear, PER>20dB
RMS Power Stability, %	<0.3% RMS@3h
Power Range	10%-100%
Cooling	Air Cooling/Water Cooling
Power consumption, W	<200W

1: XX: Central Wavelength, YY: Maximum Output Power, ZZ: Operation Mode
 2: The center wavelength can be customized
 3: High power can be customized

Structure size



Size for Air-cooling Version



Size for Water-Cooling Version