



Wavelength Tunable Fiber Laser



The product description

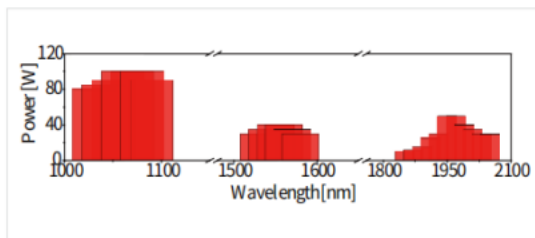
Erbium group offers electrically controlled tunable 1010-1090 nm Yb-doped fiber laser, 1530-1580 nm Er-doped fiber laser and Tm-doped 1850-2030 nm fiber laser. The maximum output power can reach up to 100 W. The lasers have excellent beam quality and good power stability, which makes them ideal light sources for applications like laser cooling, pump source for mid-infrared laser, and spectroscopy.

Key Features:

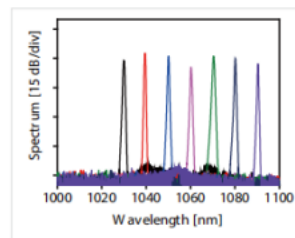
- Excellent Beam Quality: $M^2 < 1.1$
- High Output Power: 100 W
- Wide Emission Wavelength: 1030-1090nm, 1535-1580nm, 1850-2050nm

Applications:

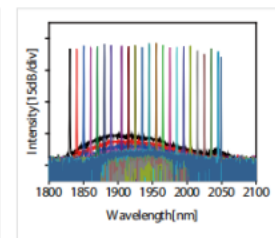
- Laser for Testing
- Spectrum Analysis
- Laser Cooling



Wavelength-Power



TUFL-Y1020-1090-60 Spectrum



TUFL-T1830-2050-20 Spectrum

Technical indicators

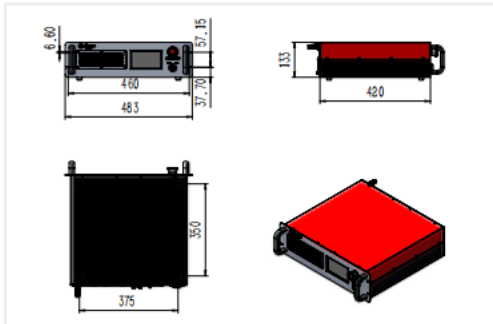
| Model | TFL-Y/E/T-A-B-XX ¹ | | |
|-------------------------------|---|--|---|
| Central Wavelength , nm | 1018-1090 | 1535-1580 | 1850-2050 |
| Linewidth ² , nm | < 1 | | |
| Output Power ³ , W | 0.1-1(Seed sources can be tunable),100 | 0.1-1(Seed sources can be tunable), 40 | 0.1-1(Seed sources can be tunable),20 |
| Beam Quality | TEM ₀₀ , M ² <1.1 | | TEM ₀₀ , M ² <1.2 |
| PER, dB | Optional Linearly-Polarized , > 15 | | |
| RMS Power Stability, % | P-P < 2%@3hrs , RMS < 0.5%@3hrs | | |



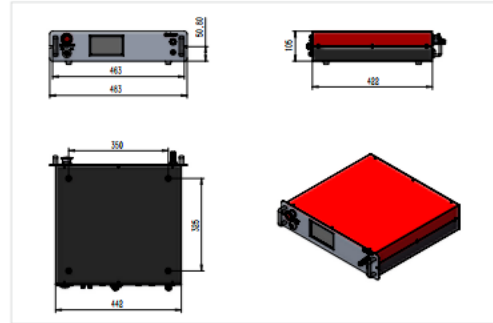
| | |
|--------------------------|---------------------------|
| Cooling | Air Cooling/Water Cooling |
| Output Connector | Collimated Output |
| Operation Temperature, ℃ | 15-35 |
| Power Supply | 50-60Hz , 100-220VAC |

1: Y / E / T: producttypes; A-B:tuning range; 20: Maximum output power
 2: Typical linewidth less than 1nm and can be customized
 3: Higher power can be customized

Structure size



Size for Air-cooling Version



Size for Water-Cooling Version